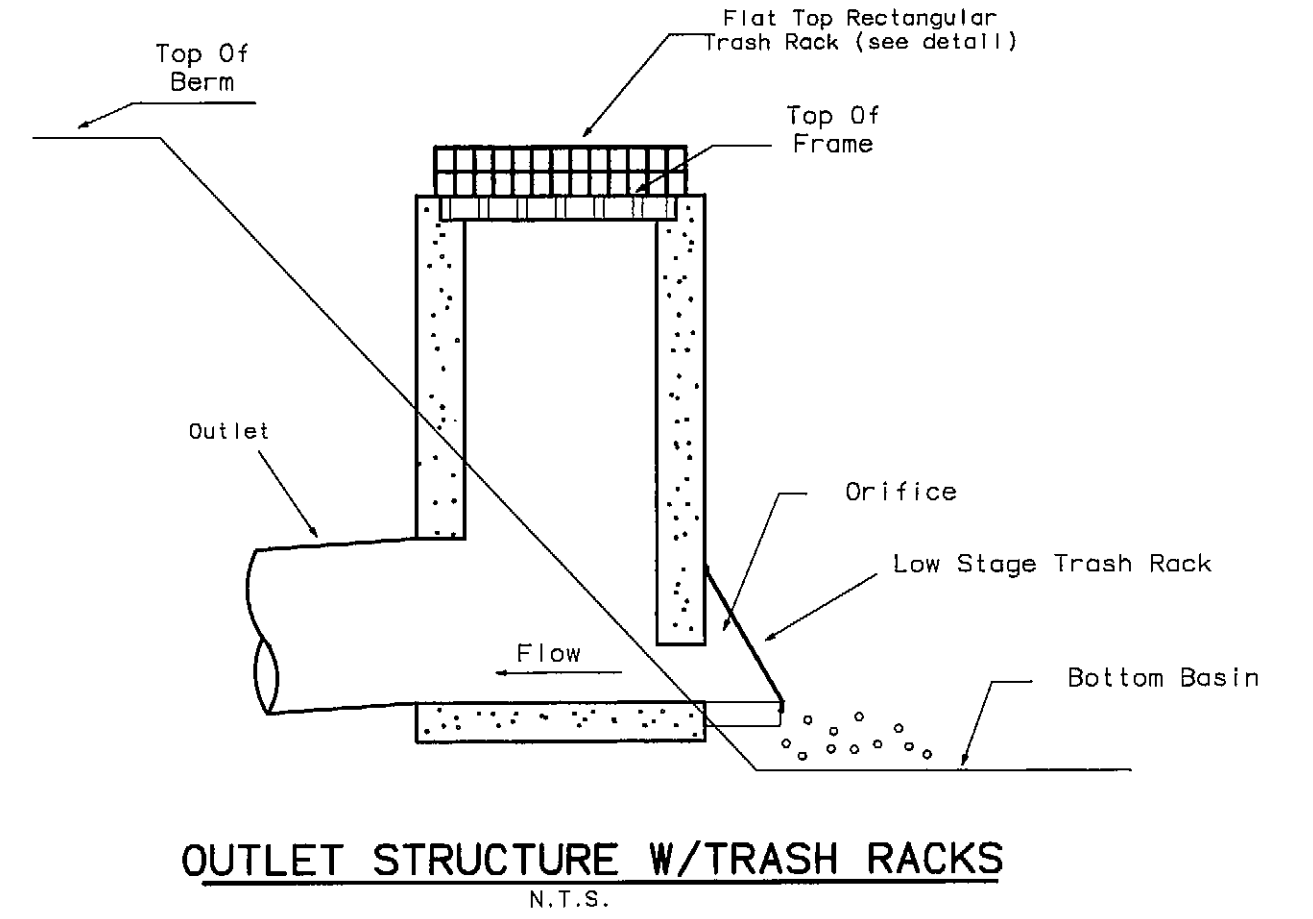
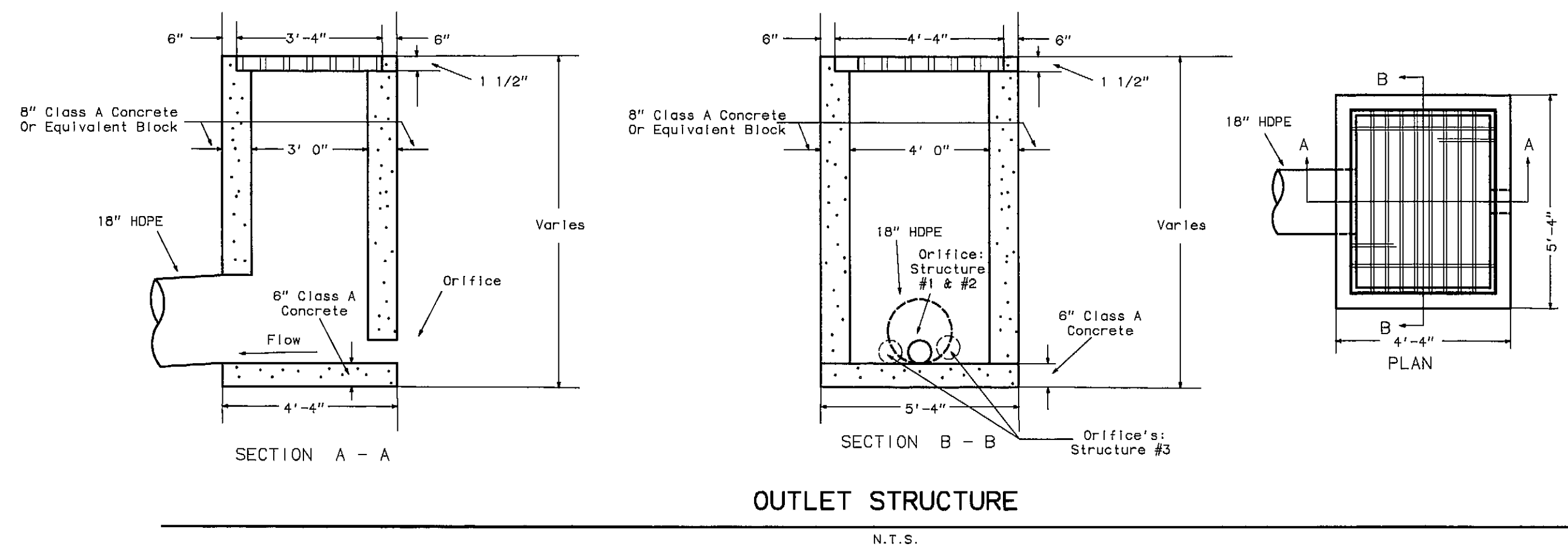


Outlet Structure #1
TF=580.5
FL=578.0 5" orifice in
FL=576.0 18" HDPE out

Outlet Structure #2
TF=552.0
FL=548.0 7" orifice in
FL=546.0 18" HDPE out

Outlet Structure #3
TF=506.9
FL=503.0 10" orifice in
FL=503.5 10" orifice in
FL=503.0 18" HDPE out

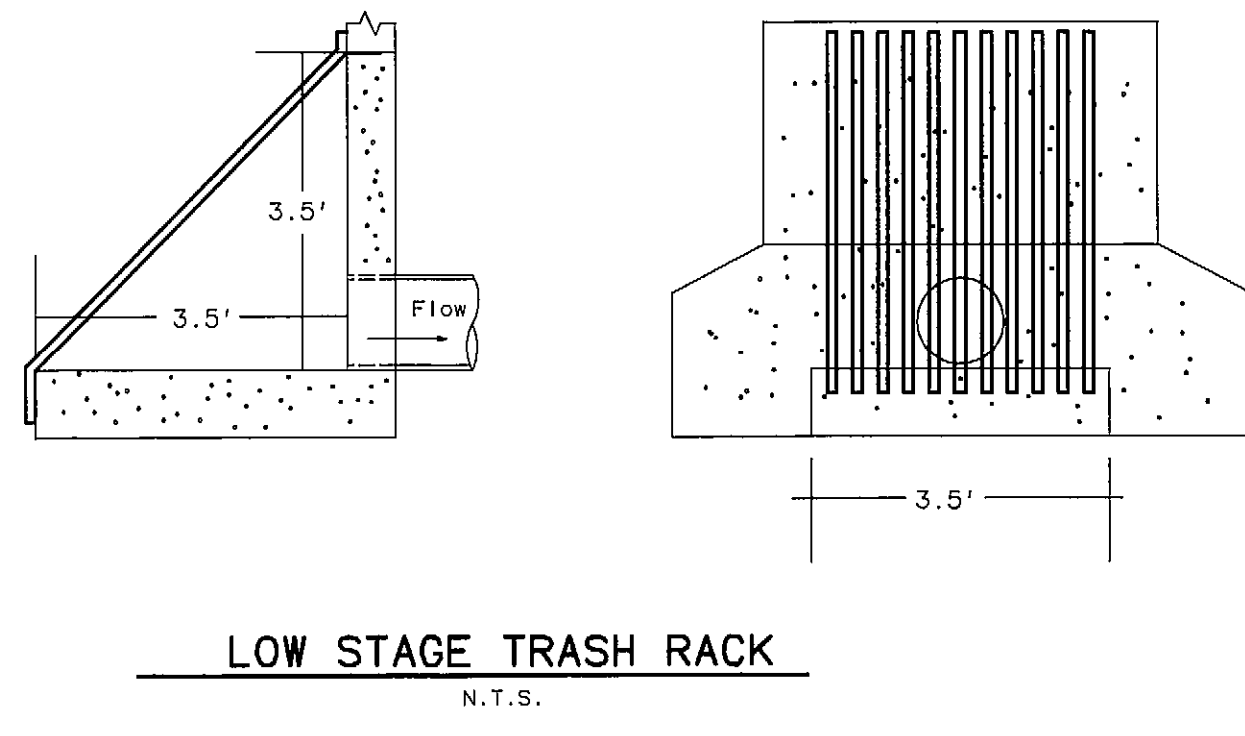


INTLET PROTECTION DETAIL FE #1
Not To Scale

OUTLET PROTECTION DETAIL FE #5
Not To Scale

OUTLET PROTECTION DETAIL FE #1A
Not To Scale

OUTLET PROTECTION DETAIL FE #5A
Not To Scale

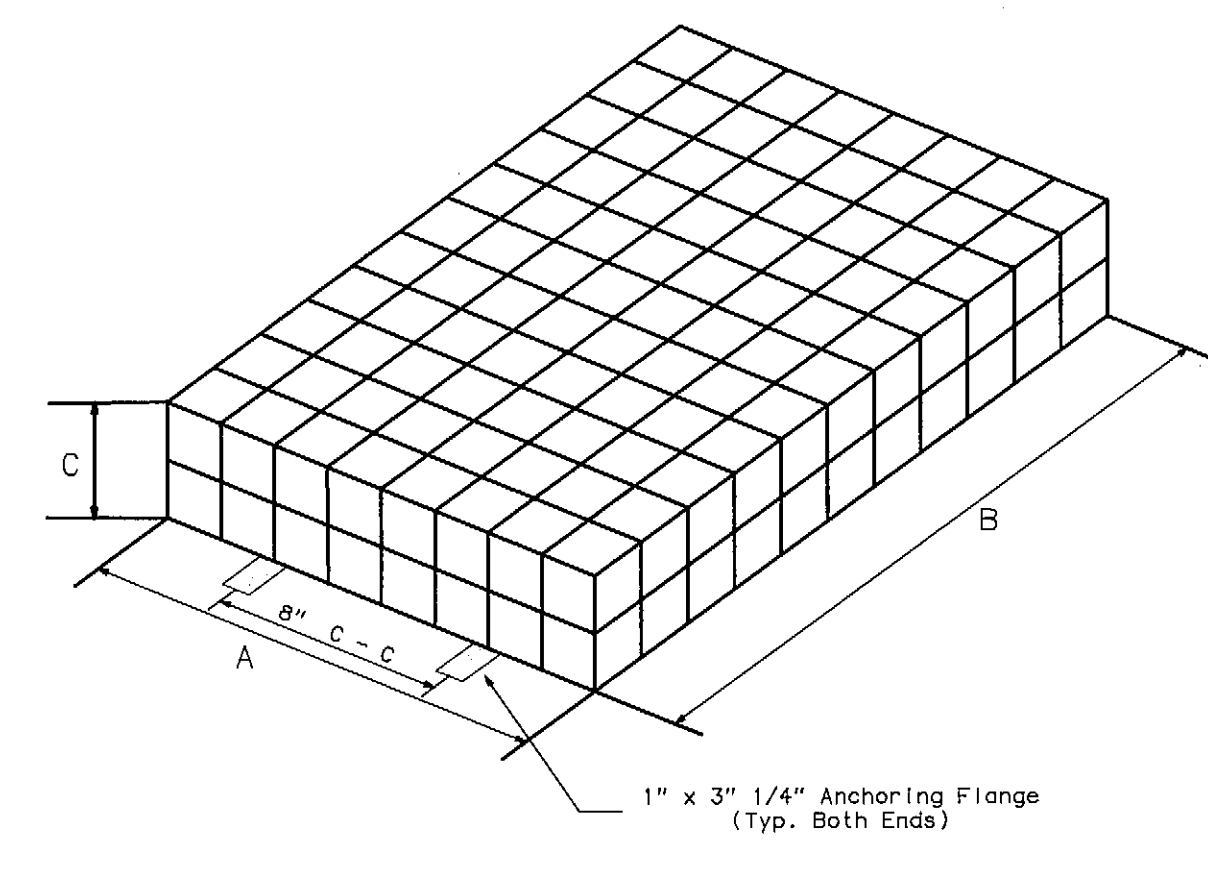
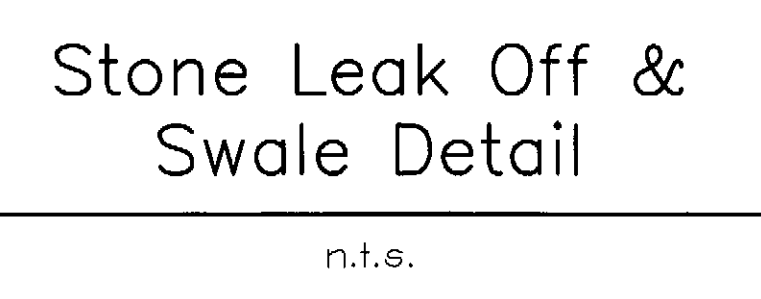
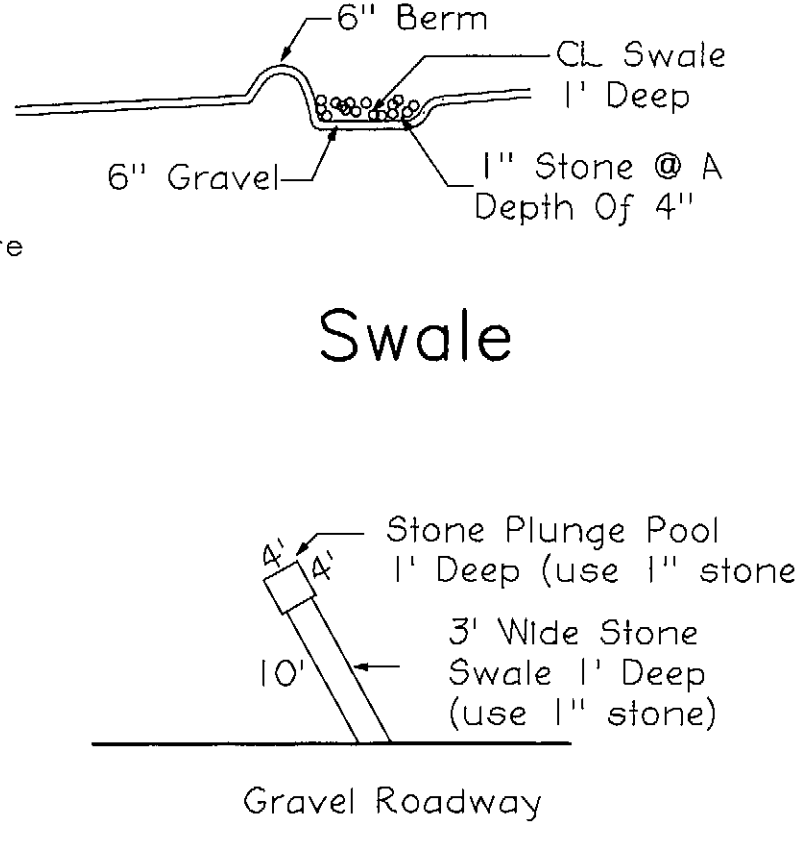
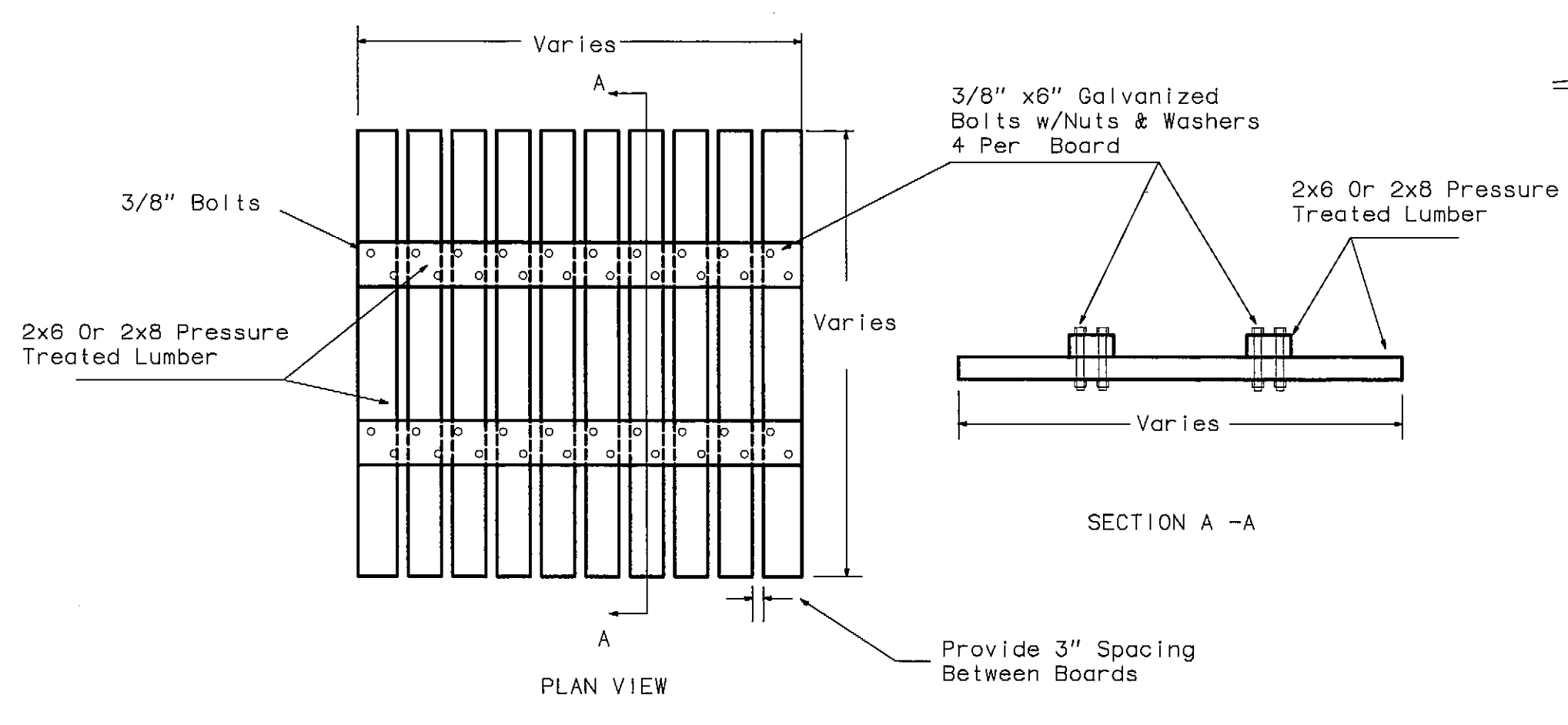


OUTLET PROTECTION DETAIL FE #9
Not To Scale

OUTLET PROTECTION DETAIL FE #6
Not To Scale

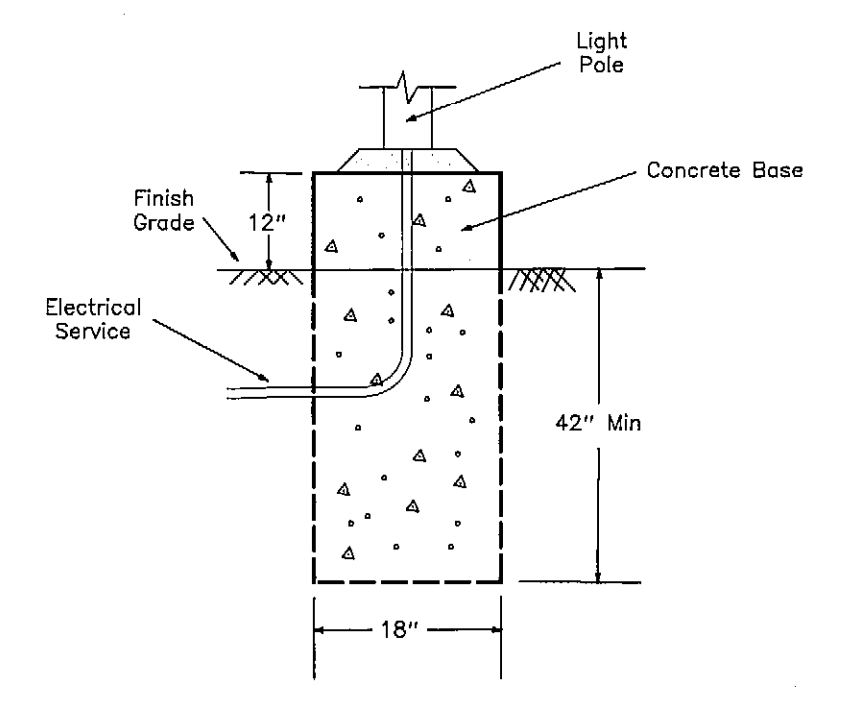
OUTLET PROTECTION DETAIL FES #9A
Not To Scale

OUTLET PROTECTION DETAIL FE #6A
Not To Scale



Trash Rack Dimension	A	B	C
	44"	56"	8"

TRASH RACK TOPS FOR OUTLET STRUCTURES 1, 2 & 3
N.T.S.

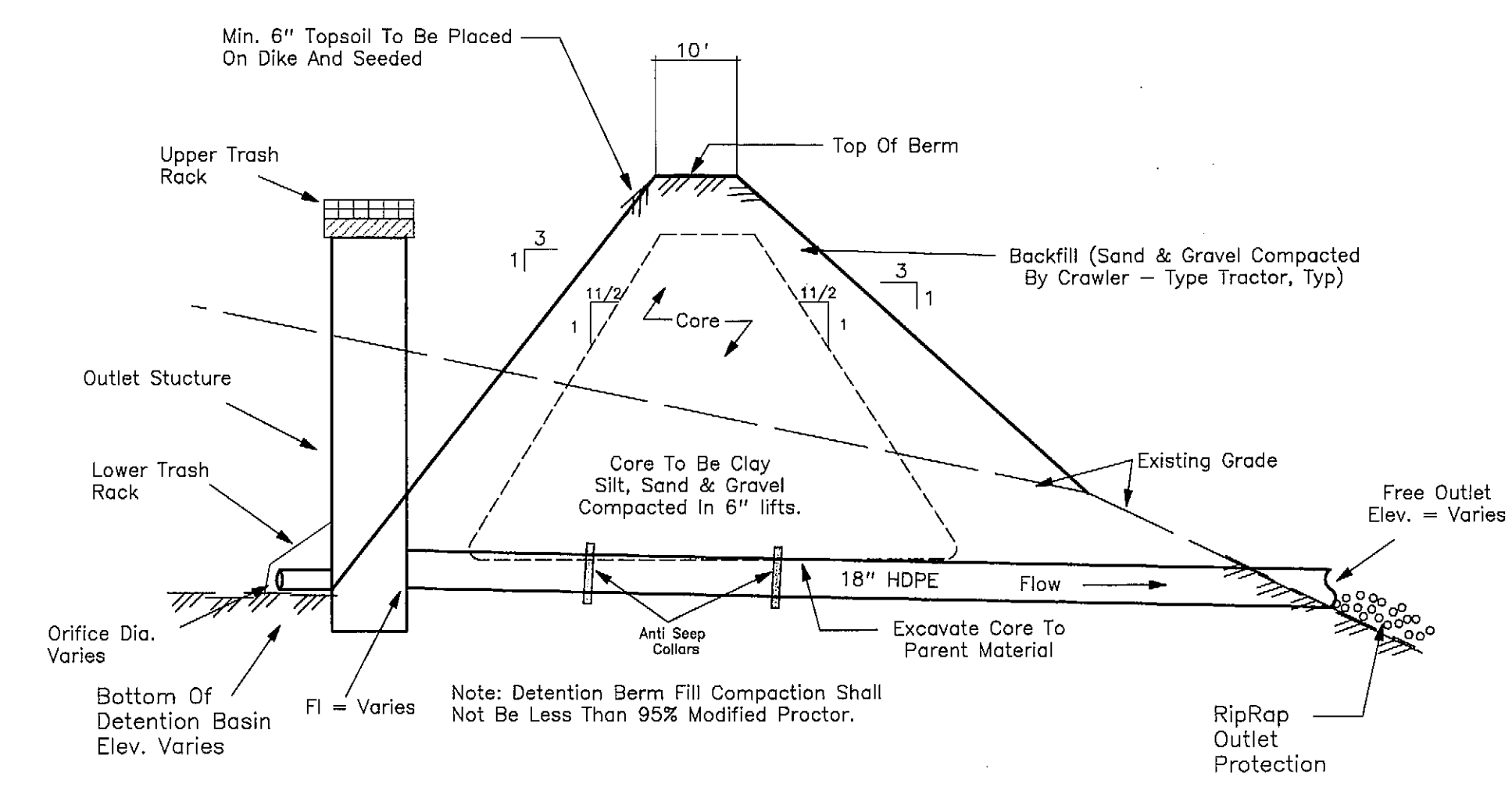


LIGHT SUPPORT BASE DETAIL
N.T.S.

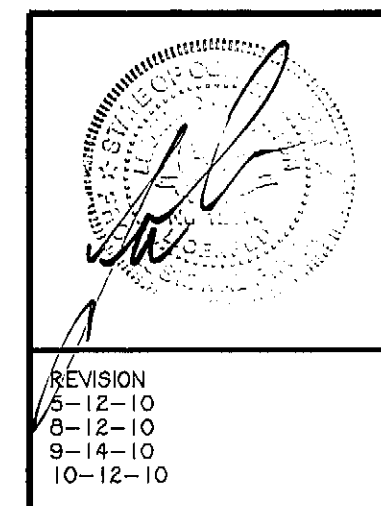
THIS MAP PRODUCED BY ORIGINAL INK DRAWING ON POLY FILM
TARBELL, HEINTZ & ASSOC.
1227 BURNSIDE AVE. - SUITE 31
EAST HARTFORD CT 06108

Model	Sediment Capacity		Oil Capacity		Total Holding Capacity	
	Ft (cubed)	L	US gal	L	US gal	L
450i	45	1276	86	326	470	1779
900	75	2135	251	950	952	3604
1200	113	3202	251	950	1234	4671
1800	193	5470	251	950	1833	6939
2400	155	4387	840	3180	2462	9320
3600	323	9134	840	3180	3715	14063
4800	465	13158	909	3441	5059	19150
6000	609	17235	909	3441	6136	23227
7200	726	20551	1059	4009	7420	28088
11000s	942	26687	2797	10588	11194	42374
13000s	1230	34841	2797	10588	13348	50528
16000s	1470	41632	3055	11564	15918	60256

STORMCEPTOR DETAIL
N.T.S.



DETENTION BERM CROSS SECTION
N. T. S.



"LAKEWOOD ESTATES"

NOTES & DETAILS
PREPARED FOR
JAMES GROSSMAN
LAKE ROAD, HILLCREST DRIVE, & RTE #85
HEBRON, CONNECTICUT

TARBELL, HEINTZ & ASSOC., INC.
CIVIL ENGINEERS - LAND SURVEYORS
1227 BURNSIDE AVE., SUITE 31 EAST HARTFORD, CT (860) 528-1810

JOB NO. 1091	DATE: 12-03-07	SCALE: AS NOTED	DRAWN BY: E.M.W.	SHEET NO.: 36 OF 39
-----------------	-------------------	--------------------	---------------------	------------------------