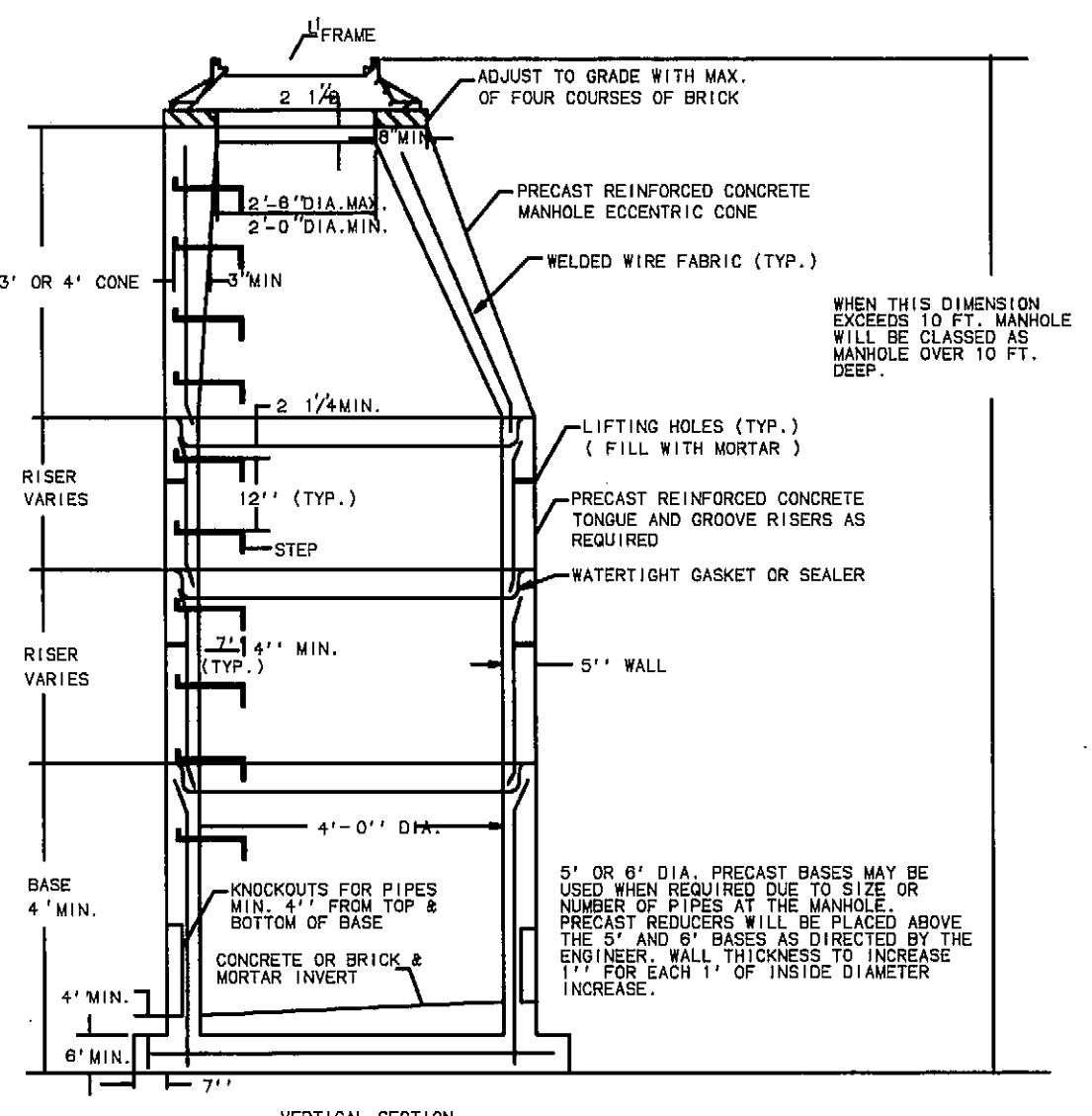
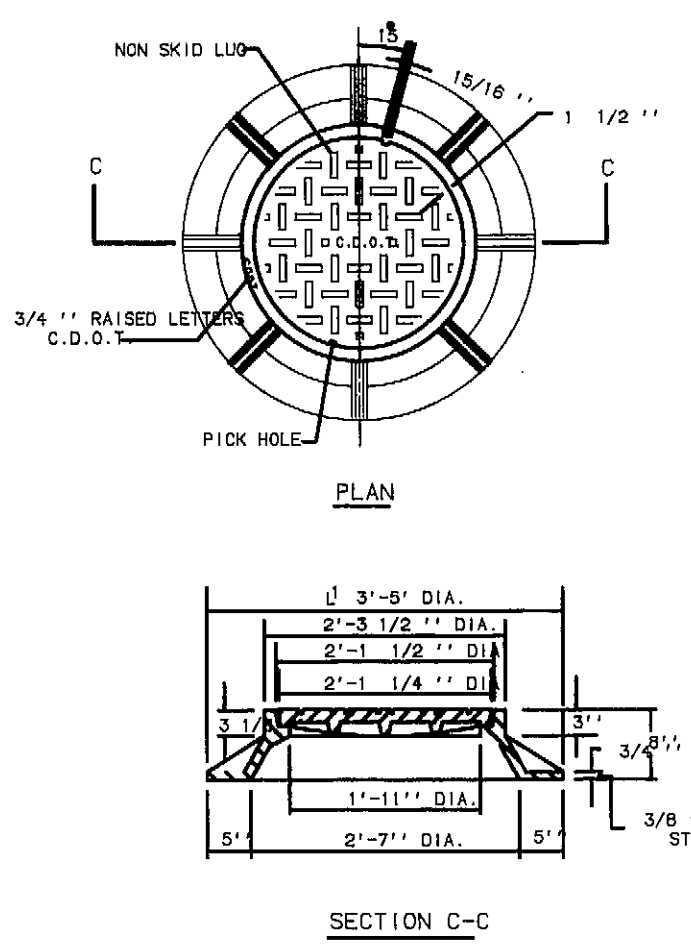


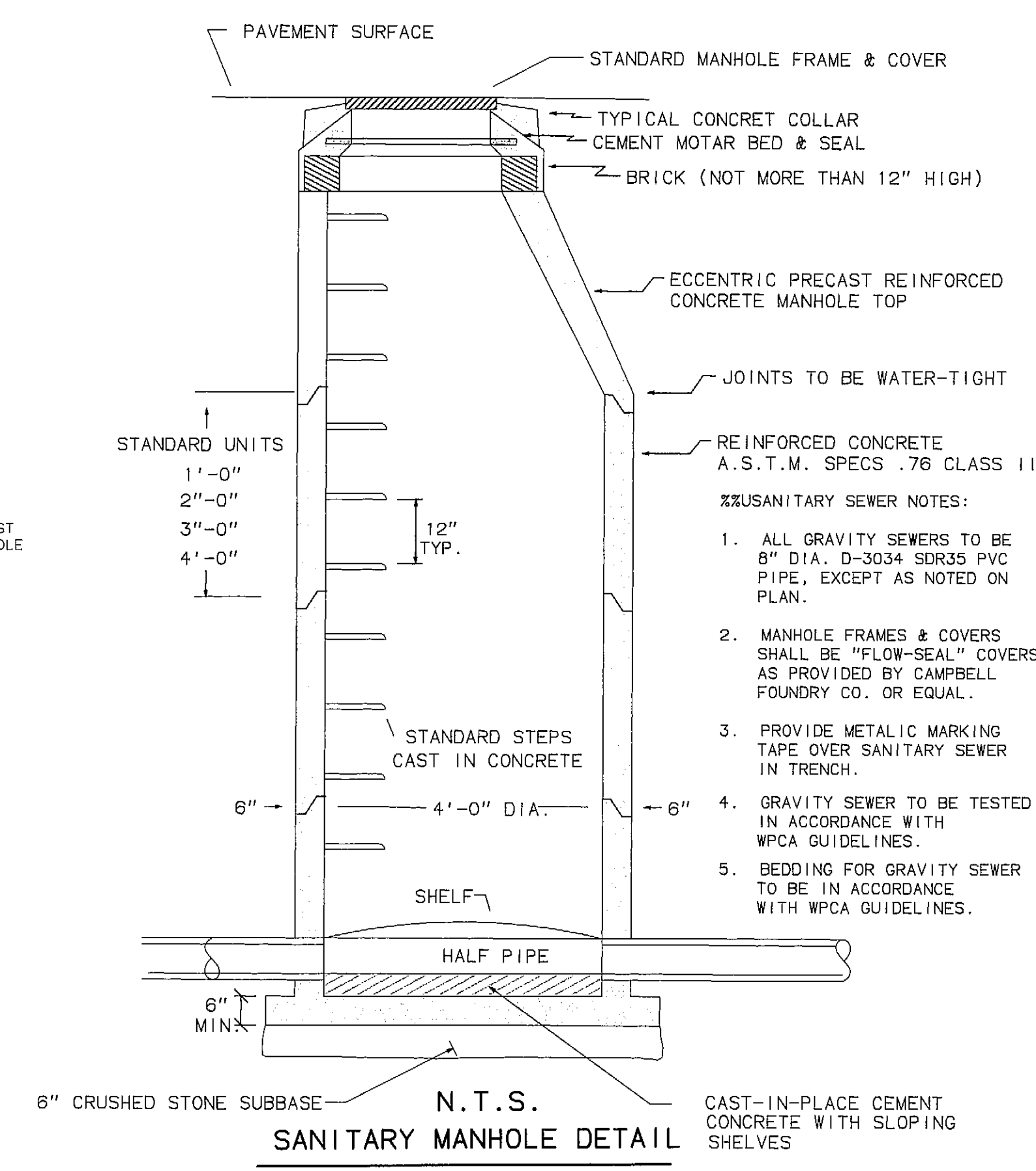
MATERIAL	CAST IRON	CAST STEEL
APPROXIMATE WEIGHT OF COVER	184 LB.	134 LB.
APPROXIMATE WEIGHT OF FRAME	312 LB.	227 LB.



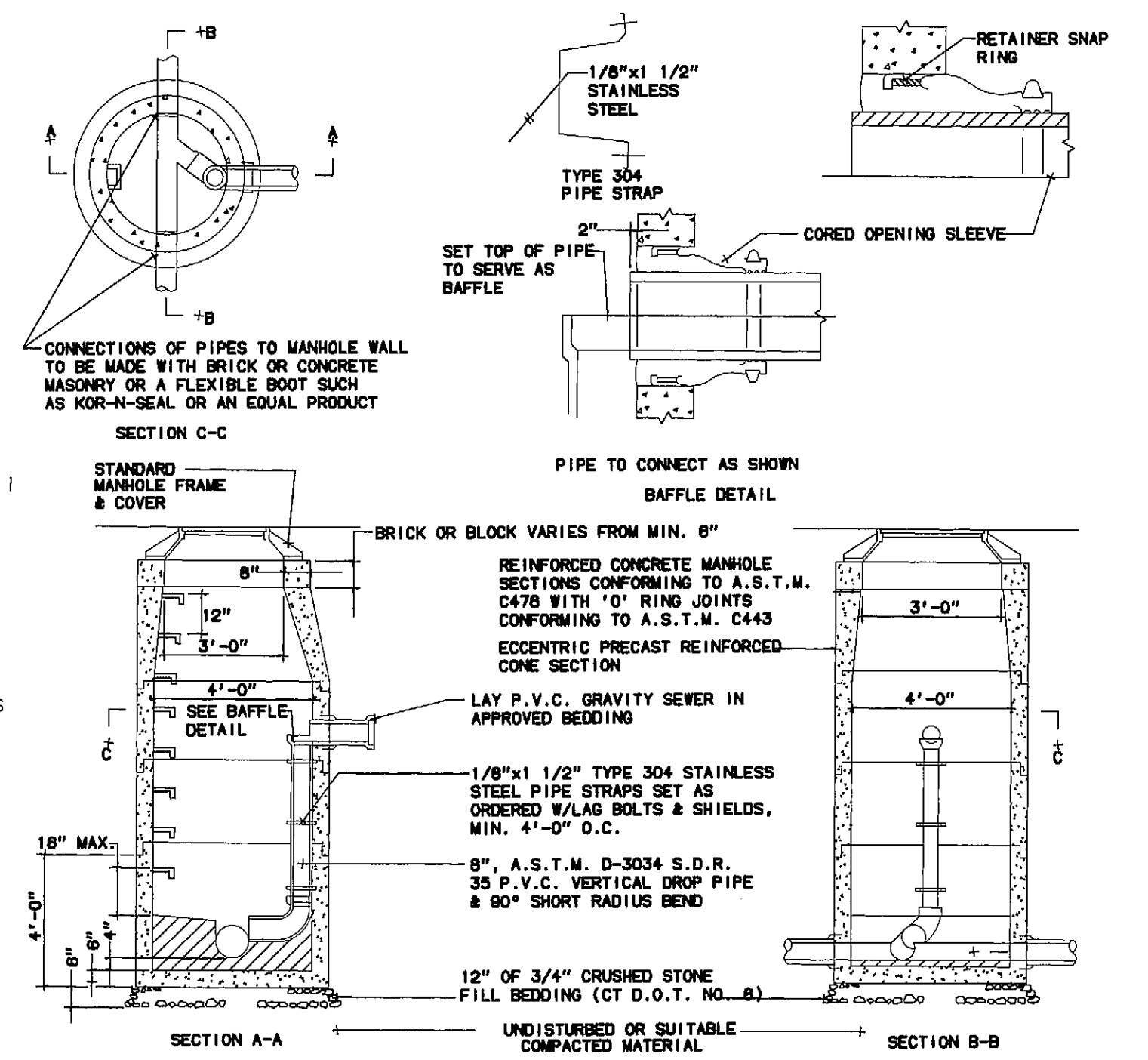
**STORM MANHOLE DETAIL**  
NOT TO SCALE



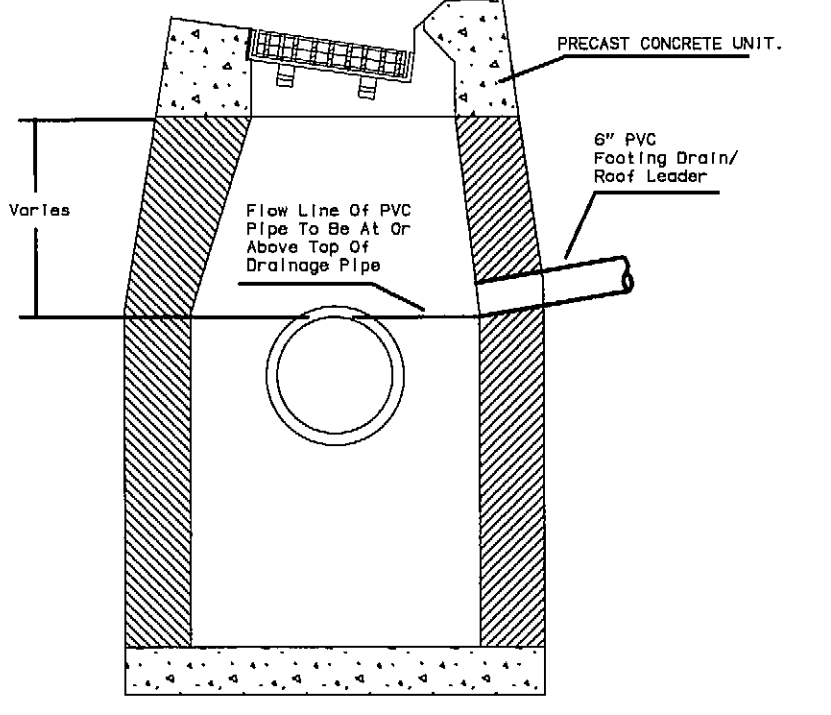
**TYPICAL DROP INLET MANHOLE DETAILS**  
NOT TO SCALE



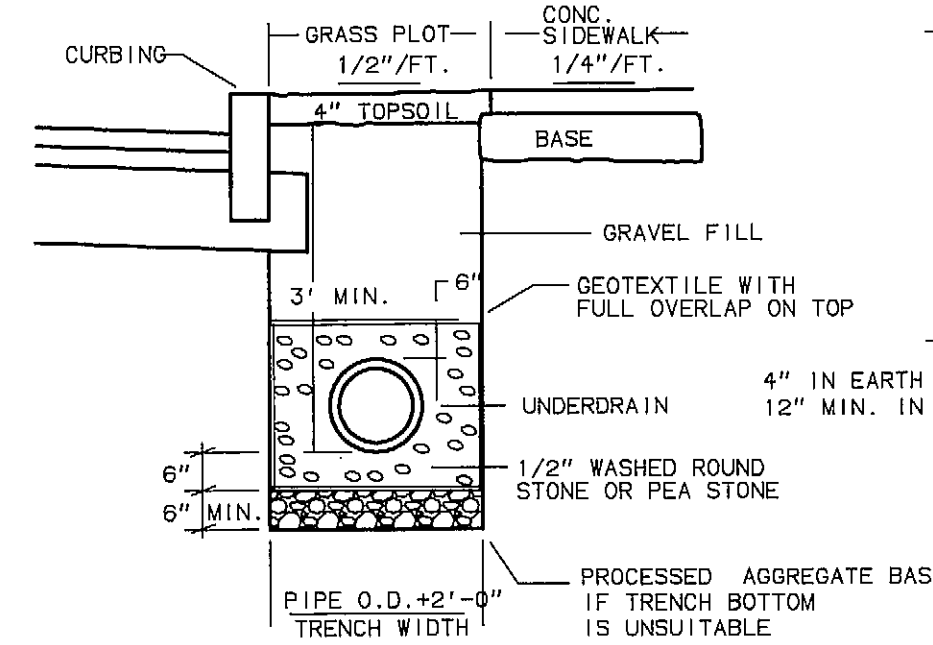
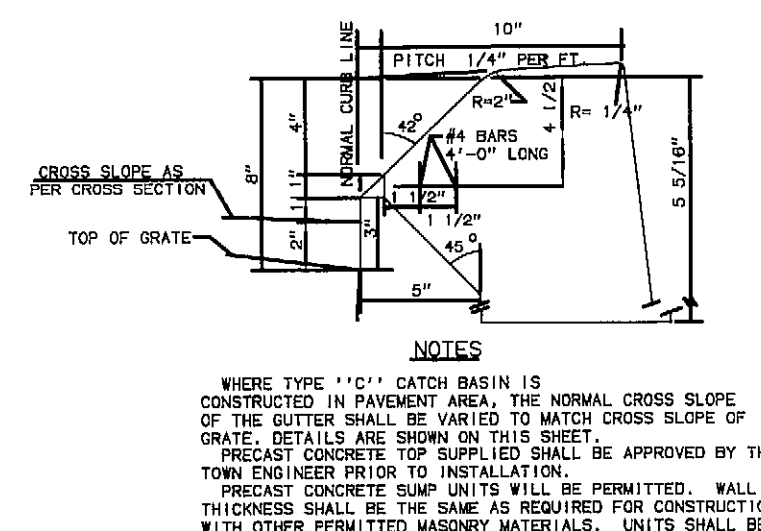
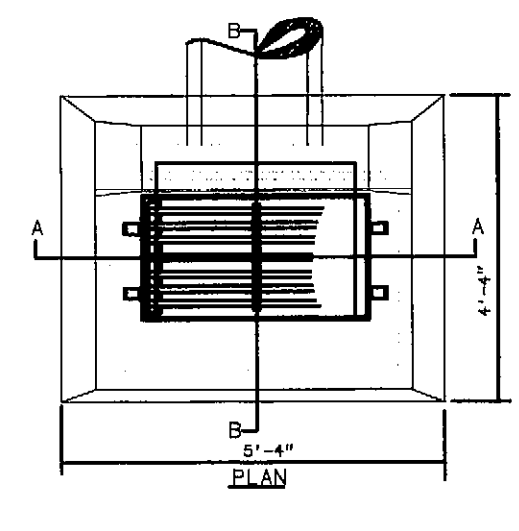
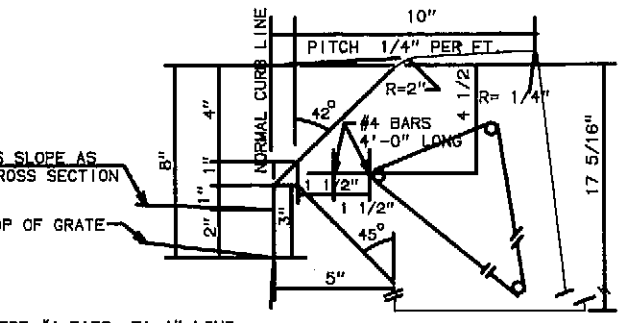
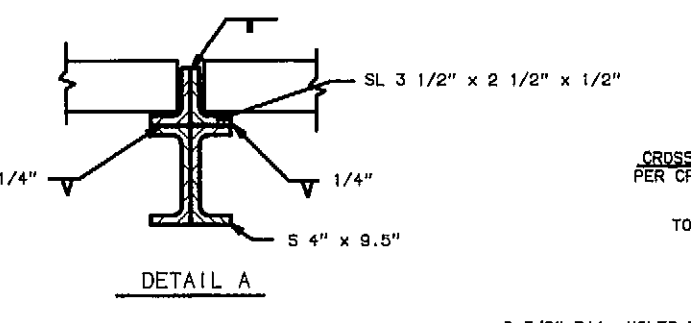
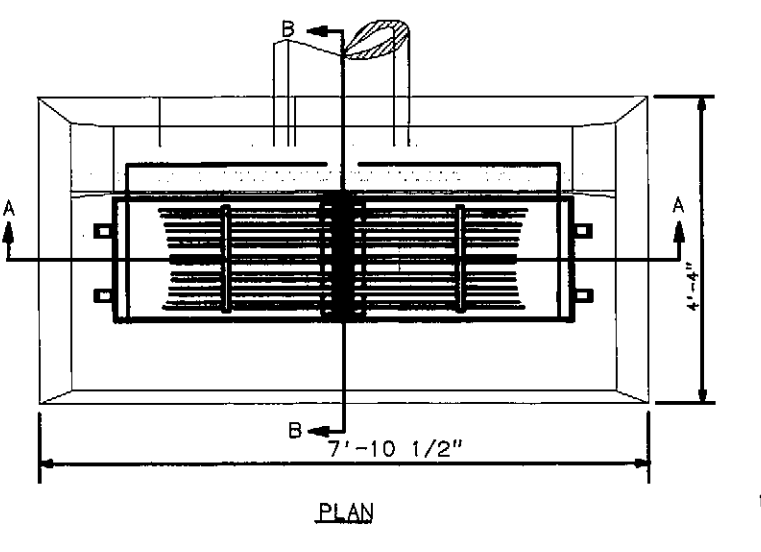
**SANITARY MANHOLE DETAIL**  
N.T.S. CAST-IN-PLACE CEMENT CONCRETE WITH SLOPING SHELVES



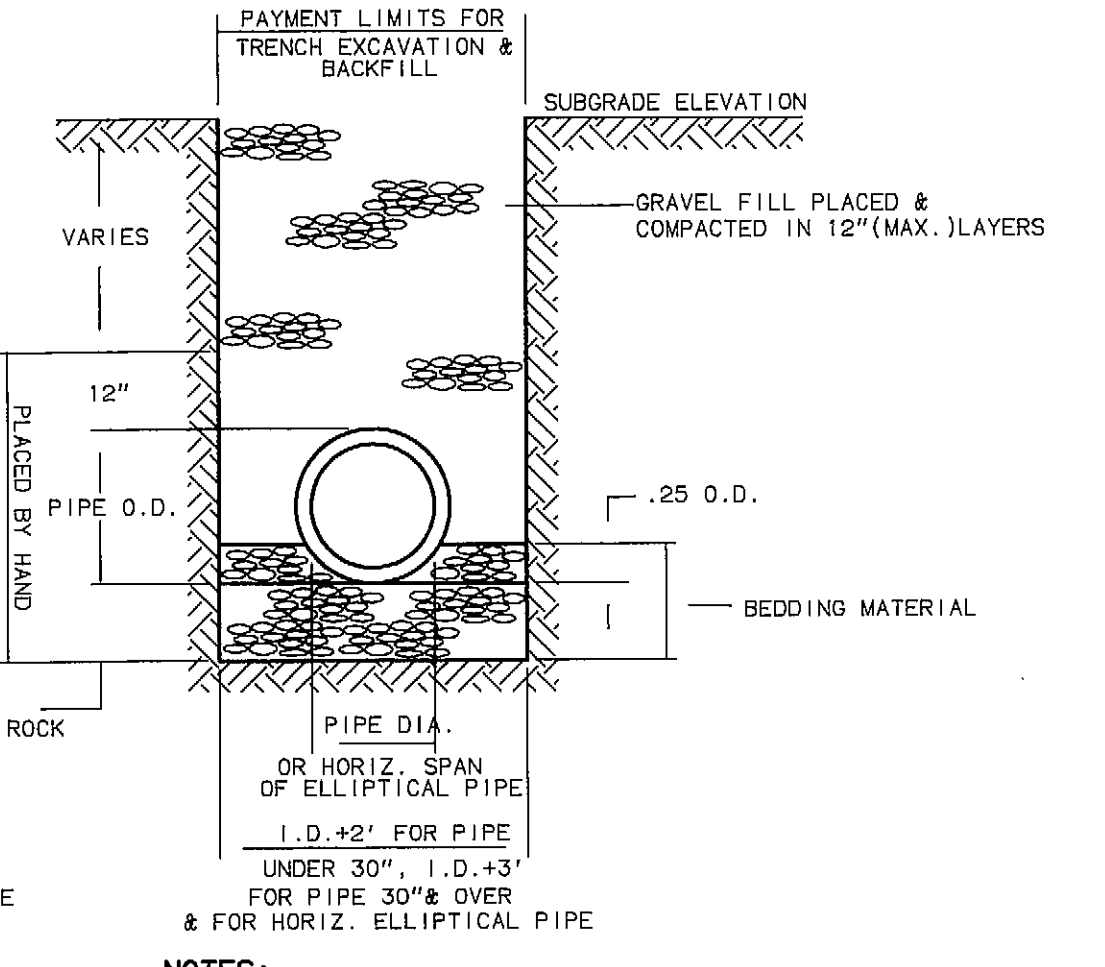
**SANITARY SEWER MANHOLE W/ DROP INLET**  
N.T.S.



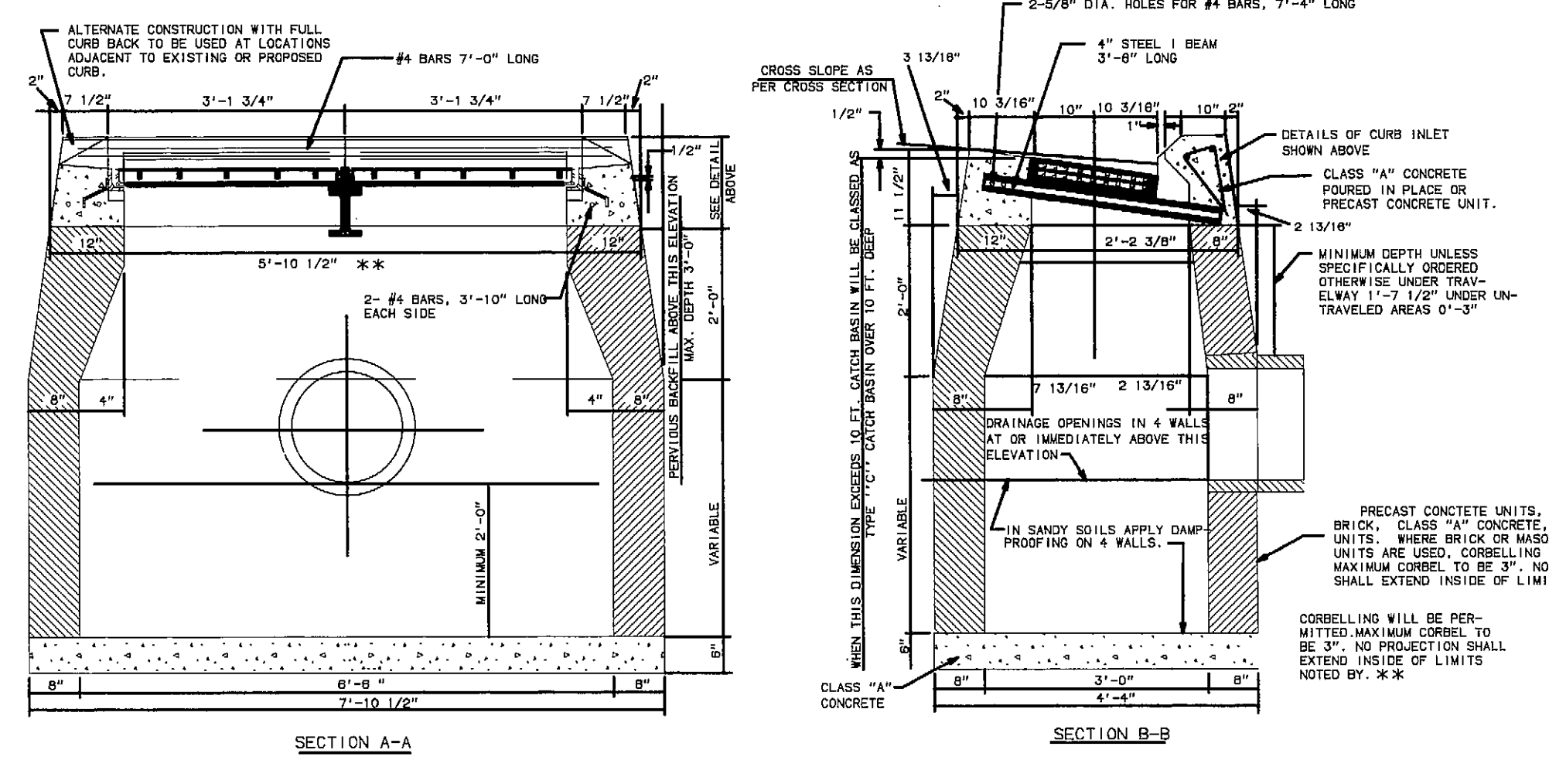
**FOOTING DRAIN/ROOF LEADER TIE IN TO CB**  
NOT TO SCALE



**STANDARD UNDERDRAIN**  
NOTES:  
1. PERFORATIONS TO BE PLACED UP OR DOWN AS SPECIFIED BY THE ENGINEER.  
2. HOLES ARE TO BE 1/2\"/>

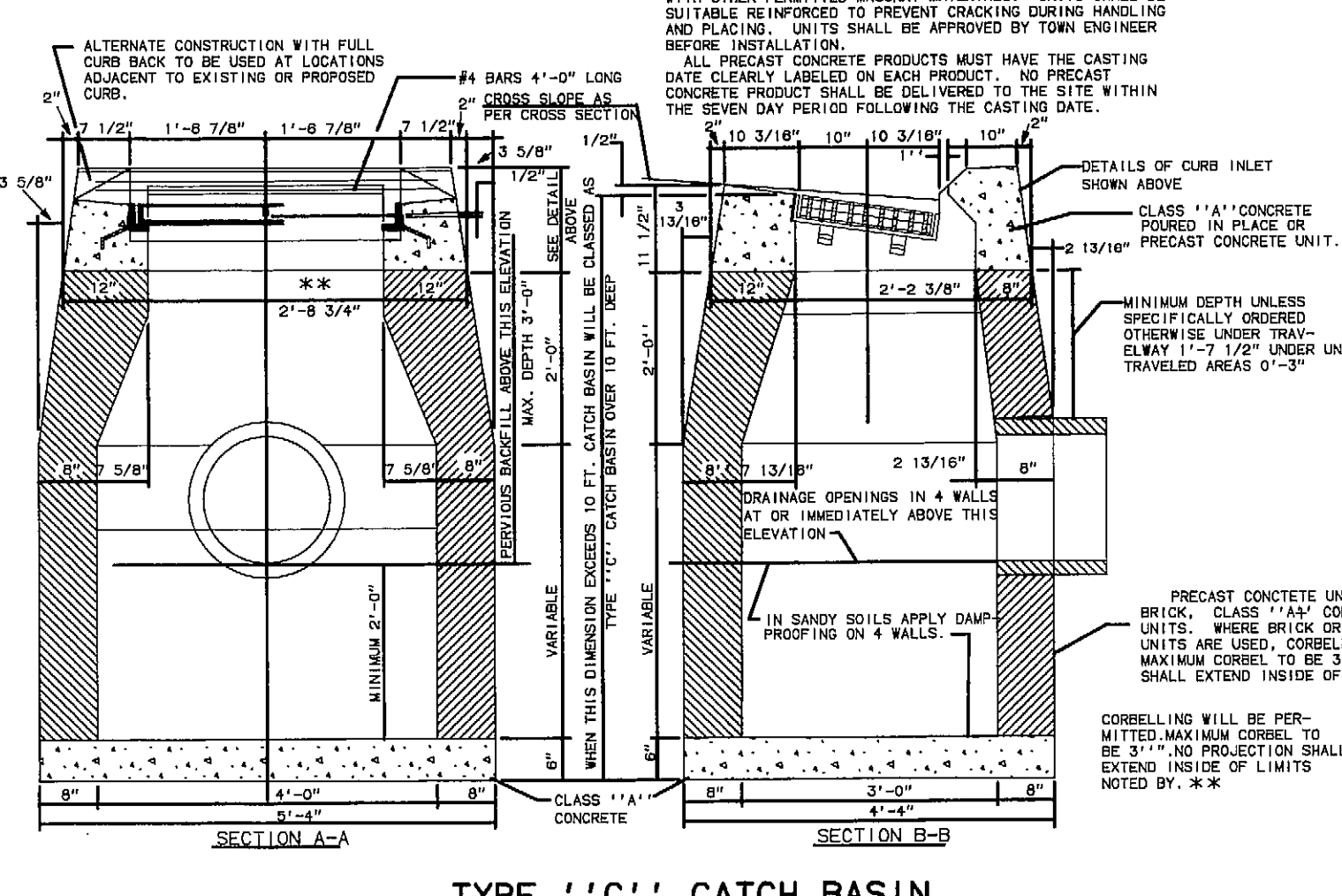


**STORM & SANITARY SEWER TRENCH**  
NOTES:  
1. ALL CONCRETE PIPE TO BE MINIMUM CLASS IV UNLESS OTHERWISE SPECIFIED.  
2. USE WATERTIGHT RUBBER GASKETS IN ALL PIPE JOINTS.



**TYPE 'C' CATCH BASIN - DOUBLE GRATE TYPE II**  
NOT TO SCALE

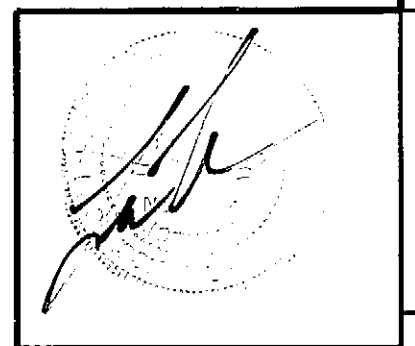
**NOTES**  
WHERE TYPE 'C' CATCH BASIN IS CONSTRUCTED IN PAVEMENT AREA, THE NORMAL CROSS SLOPE OF THE GUTTER SHALL BE VARIED TO MATCH CROSS SLOPE OF GRADE. DETAILS ARE SHOWN ON THIS SHEET. PRECAST CONCRETE TOP SUPPLIED SHALL BE APPROVED BY THE TOWN ENGINEER PRIOR TO INSTALLATION. PRECAST CONCRETE SUMP UNITS WILL BE PERMITTED. WALL THICKNESS SHALL BE THE SAME AS REQUIRED FOR CONSTRUCTION WITH OTHER PERMITTED MASONRY MATERIALS. UNITS SHALL BE SUITABLE REINFORCED TO PREVENT CRACKING DURING HANDLING AND PLACING. UNITS SHALL BE APPROVED BY TOWN ENGINEER BEFORE INSTALLATION. ALL PRECAST CONCRETE PRODUCTS MUST HAVE THE CASTING DATE CLEARLY LABELED ON EACH PRODUCT. NO PRECAST CONCRETE PRODUCT SHALL BE DELIVERED TO THE SITE WITHIN THE SEVEN DAY PERIOD FOLLOWING THE CASTING DATE. ALL STEEL, EXCEPT REINFORCING BARS SHALL BE GALVANIZED IN ACCORDANCE WITH M.O.S.03 ALL BARS SHALL HAVE 2\"/>



**TYPE 'C' CATCH BASIN**  
NOT TO SCALE

**NOTES**  
WHERE TYPE 'C' CATCH BASIN IS CONSTRUCTED IN PAVEMENT AREA, THE NORMAL CROSS SLOPE OF THE GUTTER SHALL BE VARIED TO MATCH CROSS SLOPE OF GRADE. DETAILS ARE SHOWN ON THIS SHEET. PRECAST CONCRETE TOP SUPPLIED SHALL BE APPROVED BY THE TOWN ENGINEER PRIOR TO INSTALLATION. PRECAST CONCRETE SUMP UNITS WILL BE PERMITTED. WALL THICKNESS SHALL BE THE SAME AS REQUIRED FOR CONSTRUCTION WITH OTHER PERMITTED MASONRY MATERIALS. UNITS SHALL BE SUITABLE REINFORCED TO PREVENT CRACKING DURING HANDLING AND PLACING. UNITS SHALL BE APPROVED BY TOWN ENGINEER BEFORE INSTALLATION. ALL PRECAST CONCRETE PRODUCTS MUST HAVE THE CASTING DATE CLEARLY LABELED ON EACH PRODUCT. NO PRECAST CONCRETE PRODUCT SHALL BE DELIVERED TO THE SITE WITHIN THE SEVEN DAY PERIOD FOLLOWING THE CASTING DATE. ALL STEEL, EXCEPT REINFORCING BARS SHALL BE GALVANIZED IN ACCORDANCE WITH M.O.S.03 ALL BARS SHALL HAVE 2\"/>

**TYPICAL STORM/SANITARY TRENCH AND UNDERDRAIN DETAILS**  
Not to Scale



**"LAKEWOOD ESTATES"**

**NOTES & DETAILS**  
PREPARED FOR  
**JAMES GROSSMAN**  
LAKE ROAD, HILLCREST DRIVE, & RTE #65  
HEBRON, CONNECTICUT

**TARBELL, HEINTZ & ASSOC., INC.**  
CIVIL ENGINEERS - LAND SURVEYORS  
1227 BURNSIDE AVE., SUITE 31 EAST HARTFORD, CT (860) 526-1810

JOB NO.	DATE:	SCALE:	DRAWN BY	SHEET NO.
1091	12-03-07	AS NOTED	E.M.W.	35 OF 39

THIS MAP PRODUCED BY ORIGINAL SURVEYING ON TARBELL, HEINTZ & ASSOC., 1227 BURNSIDE AVE., SUITE 31 EAST HARTFORD, CT 06103

REVISION  
5-12-10  
9-14-10  
10-12-10